



UTAH DEPARTMENT of
ENVIRONMENTAL QUALITY
**WATER
QUALITY**

UPDES General Permit For Treated Ground Water

NOI

Notice of Intent (NOI)
for Coverage Under the
UPDES General Permit for Treat Ground Water
UPDES Permit No. UTG790000

Submission of this Notice of Intent constitutes notice that the party identified in Part II. of this form intends to be authorized by UPDES General Permit No. UTG790000, issued for discharges of treated ground water to surface waters in the State of Utah. Coverage of this permit obligates such dischargers to comply with the terms and conditions of the permit.

PLEASE PROVIDE ALL REQUIRED INFORMATION

You must print or type legibly; forms that are not legible, incomplete, or unsigned will be returned. You must maintain a copy of the completed NOI form for your records.

PART I. (NOTE: THIS SECTION FOR DIVISION OF WATER QUALITY USE ONLY. *Skip to Part II.*)

THIS SECTION FOR DIVISION OF WATER QUALITY USE ONLY

Coverage Number: UTG79- _____

COVERAGE DATES: _____ / _____ /20 _____ TO _____ / _____ /20 _____

RECEIVING WATER: _____ CLASSIFICATION: _____

EFFLUENT LIMITATIONS BASED ON PERMIT Part I.D Part I.E

ADDITIONAL MONITORING AND/OR EFFLUENT LIMITATIONS:

DIVISION PERMIT OF COVERAGE ISSUANCE:

DATE: _____ / _____ / 20 _____ SIGNATURE: _____

Once coverage is assigned discharge monitoring reports will be generated and provided to the operator.

PART II. CONTACT INFORMATION (used for permit correspondence)

Organization Name: Sirq Construction

Contact Name: Chase Hathaway Title: Project Manager

Phone Number: 801-380-9341 Email: chathaway@sirq.com

Mailing Address: Street (PO Box): 3900 North Traverse Mtn Blvd Ste 202

City: Lehi State: UT Zip: 84043

Owner/Manager Name: Exeter 150 S 5600 W LLC - Dave Niagaris

Phone Number: 801-372-9277 Email: dniagaris@vobev.com

Legal Status of Owner/Operator: Private



UTAH DEPARTMENT of
ENVIRONMENTAL QUALITY
**WATER
QUALITY**

**NOI
UPDES General Permit For
Treated Ground Water**

PART III. PROJECT SITE LOCATION

Project Lead Name: Joe Numbers Project Lead Phone: 801-989-4367
 Project Site Name: Vobev Facilities
 Project Street/Location: 150 S 5600 W
 City: Salt Lake City County: Salt Lake State: UTAH Zip: 84104
 Project Site Phone: 801-989-4367
 Project latitude and longitude location in **degree decimal**.
 Latitude 40.768420 Longitude -112.022764

PART IV. PROJECT DESCRIPTION

Description of cleanup site, including a description of the source(s) of contamination and the extent of contamination and any additional contamination anticipated in the local ground water from other possible sources:

Construction dewatering required to build permanent water treatment on the Vobev warehouse.

Samples from the construction area show low level contamination that does not exceed any effluent standards.

There are no other anticipated sources of contamination for this work area.

PART V. MAP

Attach a topographical map of the area extending to at least 1 mile beyond the property boundaries. The map must show the outline of the facility, the location of each of its existing and proposed intake and discharge structures, each of its waste treatment, storage, or disposal facilities, and discharge locations. Include all springs, rivers, and other surface water bodies in the map.

Map Attached

PART VI. PROJECT DATES

Filing your permit will grant you one year of coverage from the filing date regardless of the project duration outlined below. If you project ends early, you must file a Notice of Termination (NOT).

Project Start Date: 04 / 18 /20 22

Project Completion Date: 05 / 18 /20 22

Notes:



UTAH DEPARTMENT of
ENVIRONMENTAL QUALITY
**WATER
QUALITY**

NOI UPDES General Permit For Treated Ground Water

PART VII. DISCHARGE LOCATION(S)

List the Latitude and Longitude of the Discharge Point(s) in **degree decimal** with the Receiving Water.

Outfall No.	Latitude	Longitude	Receiving Surface Waters (Name)
1	40.768396	-112.022185	Jordan River

Are any of the discharge points located in the Colorado River Basin? Yes No

Does the receiving water designated uses include Class 1C drinking water as defined by R317-2-13? Yes No

Class 1C waters are "Protected for domestic purposes with prior treatment by treatment processes as required by the Utah Division of Drinking Water".

Is the project located on tribal lands? Yes No

If the facility is located on Tribal Lands the permittee must contact EPA Region VIII except for facilities on the Navajo Reservation or the Goshute Reservation, for which the permittee must contact EPA Region IX.

Does the discharge flow into a storm drain before entering the receiving water body? Yes No

Be Advised: Discharges to storm drains must be approved by the storm drain authority/owner.

Description of Discharge location and conveyance system to live water:

Water will be discharged to a storm drain onsite. The water flows into a stormwater basin north of
the facility. The stormwater basin is part of the Salt Lake City MS4.

PART VIII. INFLUENT AND EFFLUENT CONCENTRATIONS

Complete attached **Table A** and list any additional pollutants (not included in Table A) with influent and/or effluent concentrations here:

Barium - 0.136

Total Phosphorus - 0.3

Gasoline Range Organics - 0.11



UTAH DEPARTMENT of
ENVIRONMENTAL QUALITY
**WATER
QUALITY**

NOI UPDES General Permit For Treated Ground Water

PART VIII. INFLUENT AND EFFLUENT CONCENTRATIONS *continued*

Discharge **IS** to Class 1C Water:

1. In addition to completing Table A, influent sampling including total toxic organics (TTO results must be attached. See attached Table B for list of TTO constituents. No permits for discharge to Class 1C Waters will be issued prior to influent sampling being conducted and results received.
2. An analysis of alternative disposal methods of the treated ground water must be attached. This analysis must include an economic comparison of the alternative disposal methods. If no other disposal methods are feasible the analysis must demonstrated the consideration of other methods such as trucking and/or discharge to a treatment facility.
3. If the project will last longer than one year DWQ may require Level II Antidegradation review be conducted. Please contact DWQ Staff for further information.

Discharge is **NOT** to Class 1C Water:

1. In addition to completing Table A, influent sampling including total toxic organics **OR** a report documenting why influent sampling is not needed for this project and an estimation of anticipated influent constituents concentrations.
2. In accordance with *Part I.E.* the permittee may petition Total Petroleum Hydrocarbon (TPH-GRO and TPH-DRO) analyses may be substituted for the TTO analyses. If approved Maximum Daily Effluent Limitations of 1.0 mg/LTPH-GRO and TPH-DRO will be substituted for the TTO effluent limitation.

PART IX. DESCRIPTION OF TREATMENT SYSTEM

Description of the current or proposed treatment system, including discharge flow rate (attach a flow diagram):

Water will be pumped into an 18,000 gallon weir tank for settling and treatment of turbidity prior to discharge into a stormdrain.

FLOW DIAGRAM ATTACHED

PART X. CERTIFICATION AND SIGNATURE

I certify under penalty of law that this submission was prepared under my direction or supervision in accordance with a system designed to assure that qualified personnel properly gather and evaluate the information submitted. Based on my inquiry of the person or persons who manage the system, or those person(s) directly responsible for gathering the information, the information submitted is, to the best of my knowledge and belief, true, accurate, and complete. I am aware that there are significant penalties for submitted false information, including the possibility of fine and imprisonment for knowing violations. I further certify that the applicant has sufficient title, right or interest in the property where the proposed activity occurs.

Chase Hathaway

DocuSigned by:
Chase Hathaway
48FBA516BABA458...

Project Manager

4/11/2022

**PRINT Signatory
Authority**

Signature

Title

Date



UTAH DEPARTMENT of
ENVIRONMENTAL QUALITY
**WATER
QUALITY**

NOI UPDES General Permit For Treated Ground Water

PART XI. ADDITIONAL APPLICATIONS AND APPROVALS

1. You may need to file for a temporary application to appropriate water rights from the Division of Water Rights. Call 801.583.7240 for more information.
2. You may need to obtain approval from the Division of Air Quality if any air stripping equipment is to be employed at the cleanup site. Call 801.536.4000 for more information.

The Division of Water Quality may request addition information.

Important:

The UPDES Permit Application, must be signed as follows: (Refer to *Part IV.G. Signatory Requirements*, of the General Permit.)

- 1) For a corporation, a responsible corporate officer shall sign the NOT, a responsible corporate officer means:
 - a. A President, secretary, treasurer, or vice-president of the corporation in charge of a principal business function, or any other person who performs similar policy- or decision-making functions for the corporation; or
 - b. The manager of one or more manufacturing, production, or operating facilities, if
 - i. The manager is authorized to make management decisions that govern the operation of the regulated facility, including having the explicit or implicit duty of making major capital investment recommendations, and initiating and directing other comprehensive measures to assure long term environmental compliance with environmental statutes and regulations;
 - ii. The manager can ensure that the necessary systems are established or actions taken to gather complete and accurate information for permit application requirements; and
 - iii. Authority to sign documents has been assigned or delegated to the manager in accordance with corporate procedures.
- 2) For a partnership or sole proprietorship, the general partner or the proprietor, respectively; or
- 3) For a municipality, state or other public agency, either a principal executive officer or ranking elected official shall sign the application; in this subsection, a principal executive officer of any agency means:
 - a. The chief executive officer of the agency; or
 - b. A senior executive officer having responsibility for the overall operations of a principal geographic unit or division of the agency.

Where to File the UPDES Permit Application form:

Please submit the original form with signature via the DWQ Electronic Documents Submission Portal:

<https://deq.utah.gov/water-quality/water-quality-electronic-submissions>

You can also send by mail or hand deliver to the below address. Remember to retain a copy for your records.

**Division of Water Quality
Department of Environmental Quality
195 North 1950 West
PO Box 144870
Salt Lake City, UT 84114-4870**



UTAH DEPARTMENT of
ENVIRONMENTAL QUALITY
**WATER
QUALITY**

**NOI
UPDES General Permit For
Treated Ground Water**

TABLE A

Analysis of Treatment System Influent and Effluent

You must report concentrations for each pollutant listed. Please refer to Part I.D. and Part I.E. of the permit or NOI to determine if actual influent values are required or if estimated values will be accepted.

Are influent values: **Estimated** Or **Actual**
Are effluent values: **Estimated** Or **Actual**

Parameters	Influent			Effluent		
	Avg (mg/L)	Max (mg/L)	Number of Samples	Avg (mg/L)	Max (mg/L)	Number of Samples
pH (range in standard units)	8	8	1	8	9	2/monthly
Total Suspended Solids	13	13	1	13	25	monthly
Total Dissolved Solids	3690	3690	1	1200	2000	monthly
Total Lead	ND	ND	1	ND	ND	monthly
Oil & Grease	ND	ND	1	ND	ND	monthly
Benzene	ND	ND	1	ND	ND	2/monthly
Toluene	ND	ND	1	ND	ND	monthly
Ethylbenzene	ND	ND	1	ND	ND	monthly
Xylenes	ND	ND	1	ND	ND	monthly
Naphthalene	ND	ND	1	ND	ND	monthly
MTBE	ND	ND	1	ND	ND	2/monthly
TTO's * (attach full list if required)	ATTACHED	ATTACHED	1	ATTACHED	ATTACHED	monthly

* The permittee must analyze for all the priority toxic organics (See Table A) likely to be present in concentrations greater than 0.01 mg/L. Attach the complete TTO analysis indicating parameters sampled and their reported concentrations.



UTAH DEPARTMENT of
ENVIRONMENTAL QUALITY
**WATER
QUALITY**

NOI UPDES General Permit For Treated Ground Water

TABLE B
Total Toxic Organic List

(These are the parameters that shall be analyzed for initially determining the total toxic organic (TTO) concentration of the wastewater)

Acrolein	Phenol	Hexachlorocyclopentadiene
Acrylonitrile	2,4,6-Trichlorophenol	Hexachloroethane
Benzene	Acenaphthene	Indeno(1,2,3-Cd)Pyrene
Bromoform	Acenaphthylene	Isophorone
Carbon Tetrachloride	Anthracene	Napthalene
Chlorobenzene	Benzidine	Nitrobenzene
Chlorodibromomethane	Benzo(A)Anthracene	N-Nitrosodimethylamine
Chloroethane	Benzo(A)Pyrene	N-Nitrosodi-N-Propylamine
2-Chloroethylvinyl Ether	3,4-Benzofluoranthene	N-Nitrosodiphenylamine
Chloroform	Benzo(Ghi)Perylene	Phenanthrene
Dichlorobromomethane	Benzo(K)Fluoranthene	Pyrene
1,1-Dichloroethane	Bis(2-Chloroethoxy)Methane	1,2,4-Trichlorobenzene
1,2-Dichloroethane	Bis(2-Chloroethyl)Ether	Aldrin
1,1-Dichloroethylene	Bis(2-Chloroisopropyl)Ether	Alpha-Bhc
1,2-Dichloropropane	Bis (2-Ethylhexyl)Phthalate	Beta-Bhc
1,3-Dichloropropylene	4-Bromophenyl Phenyl Ether	Gamma-Bhc
Ethylbenzene	Butylbenzyl Phthalate	Delta-Bhc
Methyl Bromide	2-Chloronaphthalene	Chlordane
Methyl Chloride	Ether	4,4'-Ddt
Methylene Chloride	4-Chlorophenyl Phenyl	4,4'-Dde
1,1,2,2-Tetrachloroethane	Chrysene	4,4'-Ddd
Tetrachloroethylene	Dibenzo(A,H)Anthracene	Dieldrin
Toluene	1,2-Dichlorobenzene	Alpha-Endosulfan
1,2-Cis,Trans- Dichloroethylene	1,3-Dichlorobenzene	Beta-Endosulfan
1,1,1-Trichloroethane	1,4-Dichlorobenzene	Endosulfan Sulfate
1,1,2-Trichloroethane	3,3'-Dichlorobenzidine	Endrin
Trichloroethylene	Diethyl Phthalate	Endrin Aldehyde
Vinyl Chloride	Dimethyl Phthalate	Heptachlor
2-Chlorophenol	Di-N-Butyl Phthalate	Heptachlor Epoxide
2,4-Dichlorophenol	2,4-Dinitrotoluene	Pcb-1242
2,4-Dimethylphenol	2,6-Dinitrotoluene	Pcb-1254
4,6-Dinitro-O-Cresol	Di-N-Octyl Phthalate	Pcb-1221
2,4-Dinitrophenol	1,2-Diphenylhydrazine (As Azobenzene)	Pcb-1232
2-Nitrophenol	Fluoranthene	Pcb-1248
4-Nitrophenol	Fluorene	Pcb-1260
P-Chloro-M-Cresol	Hexachlorobenzene	Pcb-1016
Pentachlorophenol	Hexachlorobutadiene	Toxaphene



4/8/2022

Work Order: 22D0132
Project: Silver Leaf Dewatering Sample

Wasatch Environmental
Attn: Chris Nolan
2410 West California Avenue
Salt Lake City, UT 84104

Client Service Contact: 801.262.7299

The analyses presented on this report were performed in accordance with the National Environmental Laboratory Accreditation Program (NELAP) unless noted in the comments, flags, or case narrative. If the report is to be used for regulatory compliance, it should be presented in its entirety, and not be altered.



Approved By:

Patrick Noteboom, Project Manager



Chemtech-Ford Laboratories

Serving the Intermountain West Since 1953

9632 South 500 West
Sandy, UT 84070
O:(801) 262-7299 F: (866) 792-0093
www.ChemtechFord.com



Certificate of Analysis

Wasatch Environmental
Chris Nolan
2410 West California Avenue
Salt Lake City, UT 84104

PO#: 2647-001
Receipt: 4/4/22 14:22 @ 4.8 °C
Date Reported: 4/8/2022
Project Name: Silver Leaf Dewatering Sample

Sample ID: Dewatering Point

Matrix: Water

Lab ID: 22D0132-01

Date Sampled: 4/4/22 13:20

Sampled By: Client

	Result	Units	Minimum Reporting Limit	Method	Preparation Date/Time	Analysis Date/Time	Flag(s)
Inorganic							
Oil & Grease (HEM)	ND	mg/L	5	EPA 1664A	4/5/22	4/6/22	
pH	8.0	pH Units	0.1	SM 4500 H-B	4/4/22 14:00	4/4/22 15:29	SPH
Total Dissolved Solids (TDS)	3690	mg/L	20	SM 2540 C	4/5/22	4/5/22	J-LOW
Total Suspended Solids (TSS)	13	mg/L	4	SM 2540 D	4/4/22	4/4/22	
Metals							
Arsenic, Total	ND	mg/L	0.05	EPA 6010B/C/D	4/5/22	4/7/22	
Barium, Total	0.136	mg/L	0.005	EPA 6010B/C/D	4/5/22	4/7/22	
Cadmium, Total	ND	mg/L	0.005	EPA 6010B/C/D	4/5/22	4/7/22	
Chromium, Total	ND	mg/L	0.005	EPA 6010B/C/D	4/5/22	4/7/22	
Lead, Total	ND	mg/L	0.02	EPA 6010B/C/D	4/5/22	4/7/22	
Mercury, Total	ND	mg/L	0.0002	EPA 7470A	4/7/22	4/8/22	
Phosphorus, Total as P	0.3	mg/L	0.01	EPA 200.7	4/7/22	4/7/22	
Selenium, Total	ND	mg/L	0.05	EPA 6010B/C/D	4/5/22	4/7/22	
Silver, Total	ND	mg/L	0.005	EPA 6010B/C/D	4/5/22	4/7/22	
Gasoline Range							
Gasoline Range Organics	0.11	mg/L	0.01	EPA 8260/624	4/6/22	4/6/22	
Diesel Range							
Diesel Range Organics	ND	mg/L	1.0	EPA 8015C/3510B	4/6/22	4/6/22	
Volatile Organic Compounds							
1,1,1,2-Tetrachloroethane	ND	ug/L	1.0	EPA 8260B/C /5030A	4/6/22	4/6/22	
1,1,1-Trichloroethane	ND	ug/L	1.0	EPA 8260B/C /5030A	4/6/22	4/6/22	
1,1,2,2-Tetrachloroethane	ND	ug/L	1.0	EPA 8260B/C /5030A	4/6/22	4/6/22	
1,1,2-Trichloroethane	ND	ug/L	1.0	EPA 8260B/C /5030A	4/6/22	4/6/22	
1,1,2-Trichlorotrifluoroethane	ND	ug/L	1.0	EPA 8260B/C /5030A	4/6/22	4/6/22	
1,1-Dichloroethane	ND	ug/L	1.0	EPA 8260B/C /5030A	4/6/22	4/6/22	J-LOW
1,1-Dichloroethene	ND	ug/L	1.0	EPA 8260B/C /5030A	4/6/22	4/6/22	
1,1-Dichloropropene	ND	ug/L	1.0	EPA 8260B/C /5030A	4/6/22	4/6/22	
2-Hexanone	ND	ug/L	20.0	EPA 8260B/C /5030A	4/6/22	4/6/22	
1,2,3-Trichlorobenzene	ND	ug/L	1.0	EPA 8260B/C /5030A	4/6/22	4/6/22	
1,2,3-Trichloropropane	ND	ug/L	1.0	EPA 8260B/C /5030A	4/6/22	4/6/22	
1,2,4-Trichlorobenzene	ND	ug/L	1.0	EPA 8260B/C /5030A	4/6/22	4/6/22	
1,2,4-Trimethylbenzene	ND	ug/L	1.0	EPA 8260B/C /5030A	4/6/22	4/6/22	
1,2-Dibromo-3-chloropropane	ND	ug/L	1.0	EPA 8260B/C /5030A	4/6/22	4/6/22	
1,2-Dibromoethane (EDB)	ND	ug/L	1.0	EPA 8260B/C /5030A	4/6/22	4/6/22	
1,2-Dichlorobenzene	ND	ug/L	1.0	EPA 8260B/C /5030A	4/6/22	4/6/22	
1,2-Dichloroethane	ND	ug/L	1.0	EPA 8260B/C /5030A	4/6/22	4/6/22	
1,2-Dichloropropane	ND	ug/L	1.0	EPA 8260B/C /5030A	4/6/22	4/6/22	

Project Name: Silver Leaf Dewatering Sample

CtF WO#: 22D0132



Chemtech-Ford Laboratories

Serving the Intermountain West Since 1953

9632 South 500 West
Sandy, UT 84070
O:(801) 262-7299 F: (866) 792-0093
www.ChemtechFord.com



Certificate of Analysis

Wasatch Environmental
Chris Nolan
2410 West California Avenue
Salt Lake City, UT 84104

PO#: **2647-001**
Receipt: **4/4/22 14:22 @ 4.8 °C**
Date Reported: **4/8/2022**
Project Name: **Silver Leaf Dewatering Sample**

Sample ID: **Dewatering Point (cont.)**Matrix: **Water**Lab ID: **22D0132-01**Date Sampled: **4/4/22 13:20**Sampled By: **Client**

	<u>Result</u>	<u>Units</u>	<u>Minimum Reporting Limit</u>	<u>Method</u>	<u>Preparation Date/Time</u>	<u>Analysis Date/Time</u>	<u>Flag(s)</u>
Volatile Organic Compounds (cont.)							
1,3,5-Trimethylbenzene	ND	ug/L	1.0	EPA 8260B/C /5030A	4/6/22	4/6/22	
1,3-Dichlorobenzene	ND	ug/L	1.0	EPA 8260B/C /5030A	4/6/22	4/6/22	
1,3-Dichloropropane	ND	ug/L	1.0	EPA 8260B/C /5030A	4/6/22	4/6/22	
1,4-Dichlorobenzene	ND	ug/L	1.0	EPA 8260B/C /5030A	4/6/22	4/6/22	
2,2-Dichloropropane	ND	ug/L	1.0	EPA 8260B/C /5030A	4/6/22	4/6/22	J-LOW
2-Chlorotoluene	ND	ug/L	1.0	EPA 8260B/C /5030A	4/6/22	4/6/22	
2-Nitropropane	ND	ug/L	10.0	EPA 8260B/C /5030A	4/6/22	4/6/22	
4-Chlorotoluene	ND	ug/L	1.0	EPA 8260B/C /5030A	4/6/22	4/6/22	
Acetone	ND	ug/L	10.0	EPA 8260B/C /5030A	4/6/22	4/6/22	
Acrylonitrile	ND	ug/L	10.0	EPA 8260B/C /5030A	4/6/22	4/6/22	
Benzene	ND	ug/L	0.4	EPA 8260B/C /5030A	4/6/22	4/6/22	
Bromobenzene	ND	ug/L	1.0	EPA 8260B/C /5030A	4/6/22	4/6/22	
Bromochloromethane	ND	ug/L	1.0	EPA 8260B/C /5030A	4/6/22	4/6/22	
Bromodichloromethane	ND	ug/L	1.0	EPA 8260B/C /5030A	4/6/22	4/6/22	
Bromoform	ND	ug/L	1.0	EPA 8260B/C /5030A	4/6/22	4/6/22	
Bromomethane	ND	ug/L	1.0	EPA 8260B/C /5030A	4/6/22	4/6/22	
Carbon Disulfide	ND	ug/L	1.0	EPA 8260B/C /5030A	4/6/22	4/6/22	
Carbon Tetrachloride	ND	ug/L	1.0	EPA 8260B/C /5030A	4/6/22	4/6/22	
Chlorobenzene	ND	ug/L	1.0	EPA 8260B/C /5030A	4/6/22	4/6/22	
Chloroethane	ND	ug/L	1.0	EPA 8260B/C /5030A	4/6/22	4/6/22	
Chloroform	ND	ug/L	1.0	EPA 8260B/C /5030A	4/6/22	4/6/22	
Chloromethane	ND	ug/L	1.0	EPA 8260B/C /5030A	4/6/22	4/6/22	
cis-1,2-Dichloroethene	ND	ug/L	1.0	EPA 8260B/C /5030A	4/6/22	4/6/22	
cis-1,3-Dichloropropene	ND	ug/L	1.0	EPA 8260B/C /5030A	4/6/22	4/6/22	
Cyclohexanone	ND	ug/L	20.0	EPA 8260B/C /5030A	4/6/22	4/6/22	
Dibromochloromethane	ND	ug/L	1.0	EPA 8260B/C /5030A	4/6/22	4/6/22	
Dibromomethane	ND	ug/L	1.0	EPA 8260B/C /5030A	4/6/22	4/6/22	
Dichlorodifluoromethane	ND	ug/L	1.0	EPA 8260B/C /5030A	4/6/22	4/6/22	
Ethyl Acetate	ND	ug/L	10.0	EPA 8260B/C /5030A	4/6/22	4/6/22	
Ethylbenzene	ND	ug/L	1.0	EPA 8260B/C /5030A	4/6/22	4/6/22	
Ethyl Ether	ND	ug/L	1.0	EPA 8260B/C /5030A	4/6/22	4/6/22	
Hexachlorobutadiene	ND	ug/L	1.0	EPA 8260B/C /5030A	4/6/22	4/6/22	
Isobutanol	ND	ug/L	10.0	EPA 8260B/C /5030A	4/6/22	4/6/22	
Isopropylbenzene	ND	ug/L	1.0	EPA 8260B/C /5030A	4/6/22	4/6/22	
Methyl Ethyl Ketone	ND	ug/L	10.0	EPA 8260B/C /5030A	4/6/22	4/6/22	
Methyl Isobutyl Ketone	ND	ug/L	10.0	EPA 8260B/C /5030A	4/6/22	4/6/22	
Methylene Chloride	ND	ug/L	2.0	EPA 8260B/C /5030A	4/6/22	4/6/22	

Project Name: **Silver Leaf Dewatering Sample**CtF WO#: **22D0132**



Chemtech-Ford Laboratories

Serving the Intermountain West Since 1953

9632 South 500 West
Sandy, UT 84070
O: (801) 262-7299 F: (866) 792-0093
www.ChemtechFord.com



Certificate of Analysis

Wasatch Environmental
Chris Nolan
2410 West California Avenue
Salt Lake City, UT 84104

PO#: 2647-001
Receipt: 4/4/22 14:22 @ 4.8 °C
Date Reported: 4/8/2022
Project Name: Silver Leaf Dewatering Sample

Sample ID: Dewatering Point (cont.)

Matrix: Water

Lab ID: 22D0132-01

Date Sampled: 4/4/22 13:20

Sampled By: Client

	<u>Result</u>	<u>Units</u>	<u>Minimum Reporting Limit</u>	<u>Method</u>	<u>Preparation Date/Time</u>	<u>Analysis Date/Time</u>	<u>Flag(s)</u>
Volatile Organic Compounds (cont.)							
Methyl-tert-butyl ether (MTBE)	ND	ug/L	1.0	EPA 8260B/C /5030A	4/6/22	4/6/22	
Naphthalene	ND	ug/L	1.0	EPA 8260B/C /5030A	4/6/22	4/6/22	
n-Butyl Alcohol	ND	ug/L	40.0	EPA 8260B/C /5030A	4/6/22	4/6/22	J-LOW
n-Butylbenzene	ND	ug/L	1.0	EPA 8260B/C /5030A	4/6/22	4/6/22	
Nitrobenzene	ND	ug/L	20.0	EPA 8260B/C /5030A	4/6/22	4/6/22	
n-Propyl Benzene	ND	ug/L	1.0	EPA 8260B/C /5030A	4/6/22	4/6/22	
p-Isopropyltoluene	ND	ug/L	1.0	EPA 8260B/C /5030A	4/6/22	4/6/22	
sec-Butyl Benzene	ND	ug/L	1.0	EPA 8260B/C /5030A	4/6/22	4/6/22	
Styrene	ND	ug/L	1.0	EPA 8260B/C /5030A	4/6/22	4/6/22	
tert-Butylbenzene	ND	ug/L	1.0	EPA 8260B/C /5030A	4/6/22	4/6/22	
Tetrachloroethene	ND	ug/L	1.0	EPA 8260B/C /5030A	4/6/22	4/6/22	
Toluene	ND	ug/L	1.0	EPA 8260B/C /5030A	4/6/22	4/6/22	
trans-1,2-Dichloroethene	ND	ug/L	1.0	EPA 8260B/C /5030A	4/6/22	4/6/22	
trans-1,3-Dichloropropene	ND	ug/L	1.0	EPA 8260B/C /5030A	4/6/22	4/6/22	
Trichloroethene	ND	ug/L	1.0	EPA 8260B/C /5030A	4/6/22	4/6/22	
Trichlorofluoromethane	ND	ug/L	1.0	EPA 8260B/C /5030A	4/6/22	4/6/22	
Vinyl Chloride	ND	ug/L	1.0	EPA 8260B/C /5030A	4/6/22	4/6/22	
Xylenes, total	ND	ug/L	1.0	EPA 8260B/C /5030A	4/6/22	4/6/22	



Chemtech-Ford Laboratories

Serving the Intermountain West Since 1953

9632 South 500 West
Sandy, UT 84070
O:(801) 262-7299 F: (866) 792-0093
www.ChemtechFord.com



Certificate of Analysis

Wasatch Environmental
Chris Nolan
2410 West California Avenue
Salt Lake City, UT 84104

PO#: **2647-001**
Receipt: **4/4/22 14:22 @ 4.8 °C**
Date Reported: 4/8/2022
Project Name: **Silver Leaf Dewatering Sample**

Report Footnotes

Abbreviations

ND = Not detected at the corresponding Minimum Reporting Limit (MRL).

1 mg/L = one milligram per liter or 1 mg/kg = one milligram per kilogram = 1 part per million.

1 ug/L = one microgram per liter or 1 ug/kg = one microgram per kilogram = 1 part per billion.

1 ng/L = one nanogram per liter or 1 ng/kg = one nanogram per kilogram = 1 part per trillion.

Flag Descriptions

J-LOW = Estimated low due to low recovery of LCS or CCV

SPH = Sample submitted past method specified holding time.

CHAIN OF CUSTODY - SAMPLE SUBMITTAL FORM

COMPANY: Wasatch Environmental
 ADDRESS: 2410 W California Ave
 CITY/STATE/ZIP: Salt Lake City, Utah 84104
 PHONE #: 801 972-8400
 CONTACT: Chris Nolan
 EMAIL: cn@wasatch-environmental.com
 PROJECT: Silver Leaf Dewatering Sample
 PO Number: 2047-001
 INVOICE EMAIL ADDRESS: ap@wasatch-environmental.com

RUSH Due Date:
3-Day

QC Level
 ① 2 2+ 3 3+



Chemtech-Ford Laboratories
 9632 South 500 West
 Sandy, UT 84070
 Phone: 801-262-7299
 www.chemtechford.com

22D0132

Sample condition		Delivery Method	
<input checked="" type="checkbox"/> Custody Seal	<input checked="" type="checkbox"/> Correct Containers	<input type="checkbox"/> UPS	<input type="checkbox"/> USPS
<input checked="" type="checkbox"/> Container Intact	<input checked="" type="checkbox"/> Sufficient Sample Volume	<input type="checkbox"/> FedEx	<input type="checkbox"/> Chemtech-Ford Courier
<input checked="" type="checkbox"/> COC/Labels Agree	<input type="checkbox"/> Headspace Present (VOC)	<input checked="" type="checkbox"/> Walk-in	<input type="checkbox"/> Customer Courier
<input checked="" type="checkbox"/> Received on Ice	<input type="checkbox"/> Temperature Blank		
	<input checked="" type="checkbox"/> Received within Holding Time		

TESTS REQUESTED														
	pH	Oil and Grease	VOCs TPH-GRO 8260B	TPH-DRO 8015	8 RCRA Metals-total	total suspended solids (TSS)	total Dissolved Solids (TDS)	phosphate				E. Coli/Coliform (Absent/Present)	E. Coli/Coliform (Enumerated)	HPC
<u>1</u>	X	X	X	X	X	X	X	X						
2.														
3.														
4.														
5.														
6.														
7.														
8.														
9.														
10.														

3 day
RUSH
 S-8194, ULINE, 800-295-5510

Lab Use Only	CLIENT SAMPLE INFORMATION			
	LOCATION / IDENTIFICATION	DATE	TIME	MATRIX
<u>1</u>	<u>Dewatering Point</u>	<u>4/4/2022</u>	<u>1320</u>	<u>water</u>
2.				
3.				
4.				
5.				
6.				
7.				
8.				
9.				
10.				

Bottle type M N C Ag W(4) AH
 Lot # 1186 1187 1173 1140 30950 N/A

Sampled by: [signature] <u>Jawol Scott</u>		Temp (C°): <u>4.8</u>	
Special Instructions:		Samples received outside the EPA recommended temperature range of 0-6 C° may be rejected.	
Relinquished by: [signature] <u>Jawol Scott</u>	Date/Time <u>4/4/22 1422</u>	Received by: [signature] <u>Colman</u>	Date/Time <u>4/4/22 1422</u>
Relinquished by: [signature]	Date/Time	Received by: [signature]	Date/Time
Relinquished by: [signature]	Date/Time	Received by: [signature]	Date/Time

Payment Terms are net 30 days OAC. 1.5% interest charge per month (18% per annum). Client agrees to pay collection costs and attorney's fees.

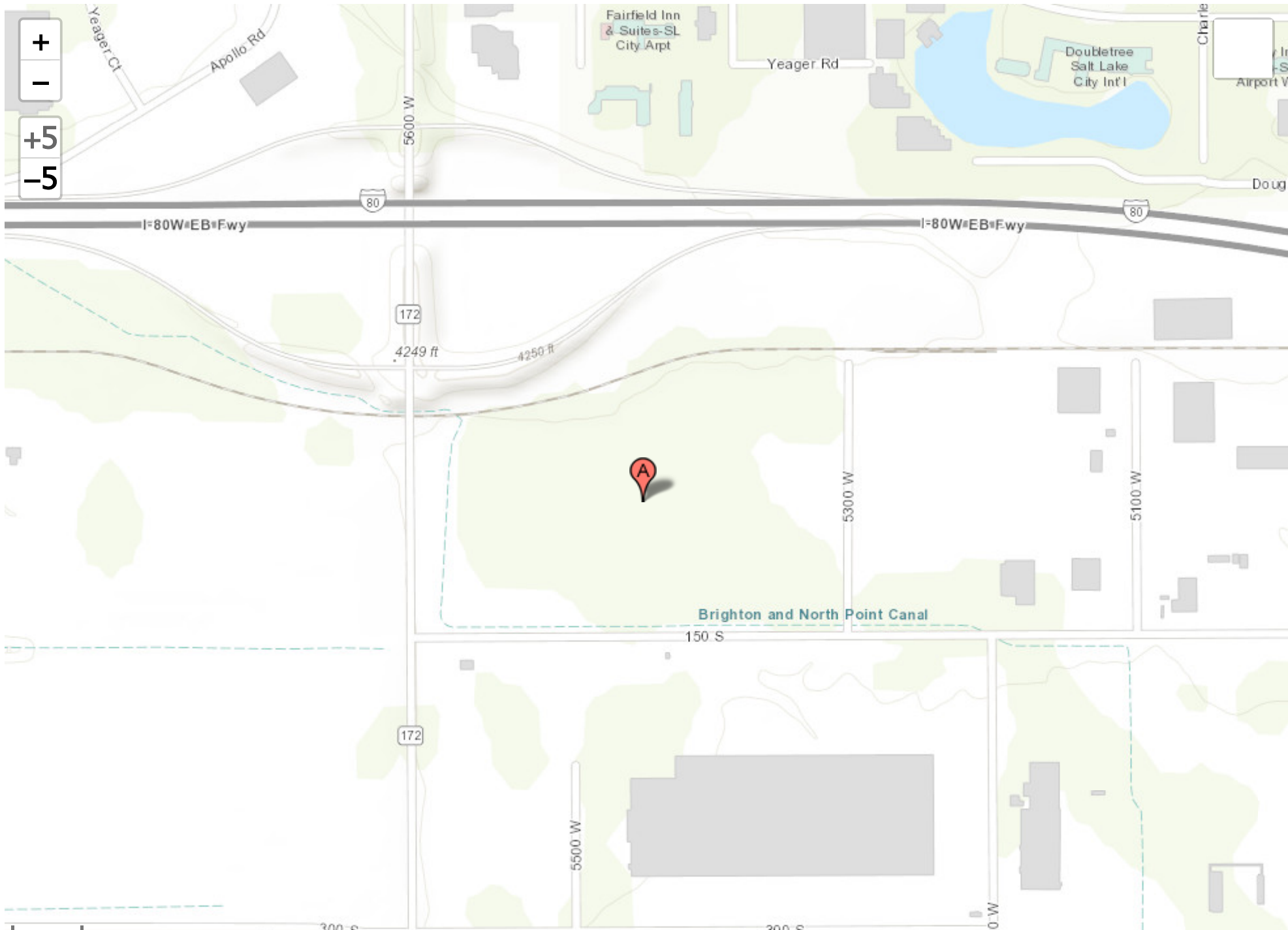


Man Made Pond #1

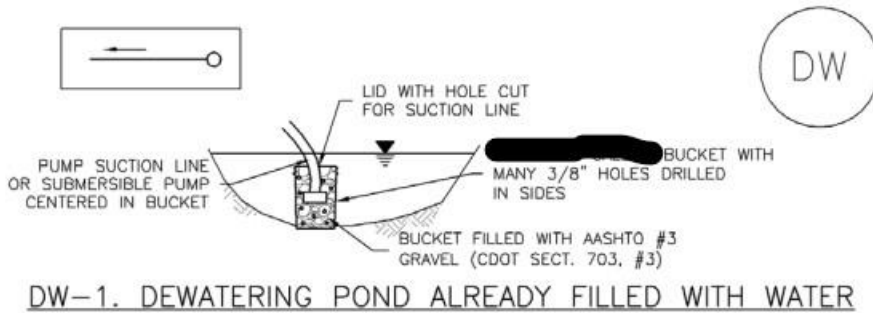


Man Made Pond 2

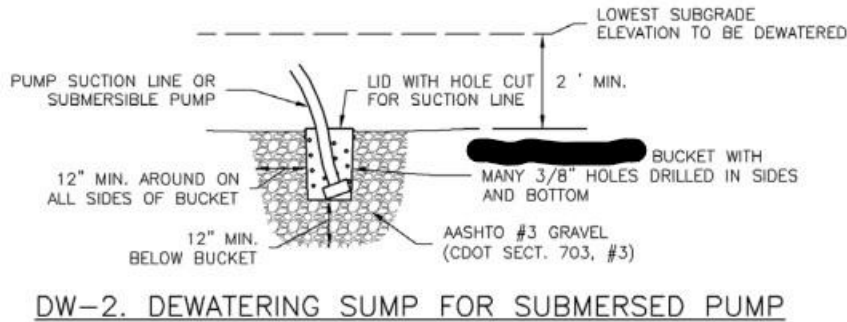




Flow diagram for Dewatering System



Water will be pumped from well points. Well points will have gravel around them as a form of filtration and to prevent the equipment from clogging.



TSURUMI PUMP NK - SERIES SEMI-VORTEX - DEWATERING PUMPS

Model NK3-22L

DIMENSIONS-USCS (Inch)

Model	HP	NOM. SIZE	Pump & Motor						C.W.L.	*Wt.
			A	A1	B	B1	D	H	W1	(lbs.)
NK3-22L	3	3"	9 1/4	7 1/2	23 5/8	20 3/8	8 1/2	26 1/2	4 3/4	73

DIMENSIONS-METRIC (mm)

Model	kW	NOM. SIZE	Pump & Motor						C.W.L.	*Wt.
			A	A1	B	B1	D	H	W1	(kg)
NK3-22L	2.2	80	235	192	601	519	216	669	120	33.0

* Excluding Cable

A typical submersible pump used for dewatering.

Steel Tank Flat Top Smooth Wall

Overview:
 Store liquids with confidence with Rain for Rent's Flat Top Smooth Wall tank. Permanently attached axles, for maximum maneuverability, allows this tank to be moved with ease on the jobsite. The staircase ensures proper protection for workers on site. The tank also offers optional epoxy coating, which offers chemical resistance and additional cleanliness for sensitive environmental applications.

Features:

- Vapor Tight Tanks: rated to 15oz/in² of pressure and 0.4oz/in² of vacuum
- V-drain floor with front and rear 4" 150-lb flanges with valves
- OSHA Compliant Stairway
- 1.5" SCH80 level gauge port
- 8" External manifold or internal manifold
- Rear 3" or 6" SCH40 fill line
- Optional: Epoxy Coating - chemical resistance for a wide variety of chemical compatibility and keeps stored product within the tank cleaner
- Optional: Steam Coils

Accessories:

- E-CONTAIN[®] Spillguards
- SolidGround[®] Traction Mats
- Radar Level Gauge
- Mechanical Level Gauge
- PipeStax[®]
- HoseTrax[®]
- Suction and Discharge Hose

Specs:

Material	Steel, Epoxy Coated (Option)
Capacity	21,000 gallons
Manways	Four 22" hatches
Dry weight	29,500 lbs.
Footprint (LxWxH):	560" x 102" x 120"

PUMPS • TANKS • FILTRATION • PIPE • SPILLGUARDS

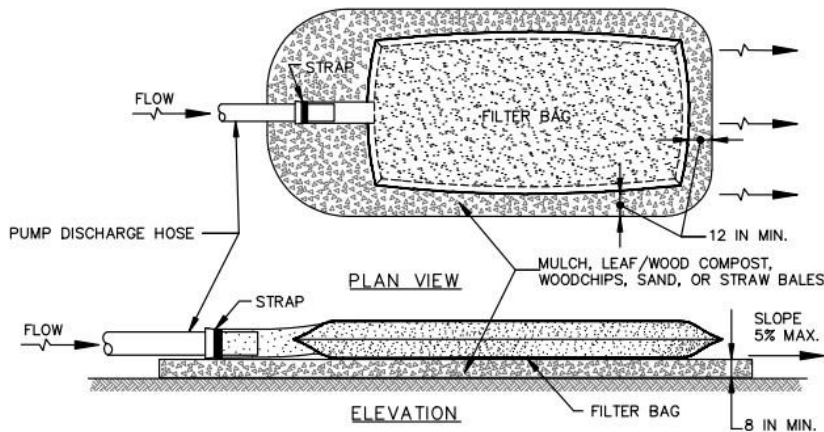
Rain for Rent is a registered trademark of Western Industrial Supply Company. Products and specifications are subject to change without notice.

Liquid Ingenuity.
 800-742-7246
 rainforrent.com

The weir tank is the primary filtration system. The baffled weir tank causes sediment to settle prior to discharge to a storm drain.

DETAIL F-4 FILTER BAG

☒FB



The sediment bag can be used at the end of the system as an additional form of filtration. This is not always necessary if the water from the weir tank meets the permit effluent requirements.

ANALYSIS OF ALTERNATIVE DISPOSAL METHODS

- 1.) Vobev Facilities proposes disposing of water with a traditional dewatering system. The water will be treated for TSS and monitored for pollutants required under the Treated Groundwater Permit. Our sampling shows the contamination levels are below the effluent limitations in permit UTG790000. We believe that no further treatment will be required to meet the requirements of the permit. This method of treatment will have an initial cost of \$10,000 for permitting and mobilization. The monthly cost to pump and treat the water will be approximately \$20,000. A 1 month project has a projected budget of \$30,000.
- 2.) The second alternative for disposal would be to treat the water for contamination discovered during sampling. The project would be required to install a media filter to clean the contamination from the water prior to discharge. This would likely require a carbon filter to treat for hydrocarbons. Installation of this alternative would add approximately \$50,000 per month to the project. The 1 month project budget would be \$80,000.
- 3.) The third alternative would be to haul the water away from the site. This is not a feasible alternative due to the cost. The minimum disposal cost for 5,000 gallons of water is \$2,500 at AET Environmental. This does not include the cost of drivers and time onsite. The minimum cost would be \$60,000 per day. The 1 month project budget would be \$1.68 million. Disposal at a treatment facility is not a viable alternative.